
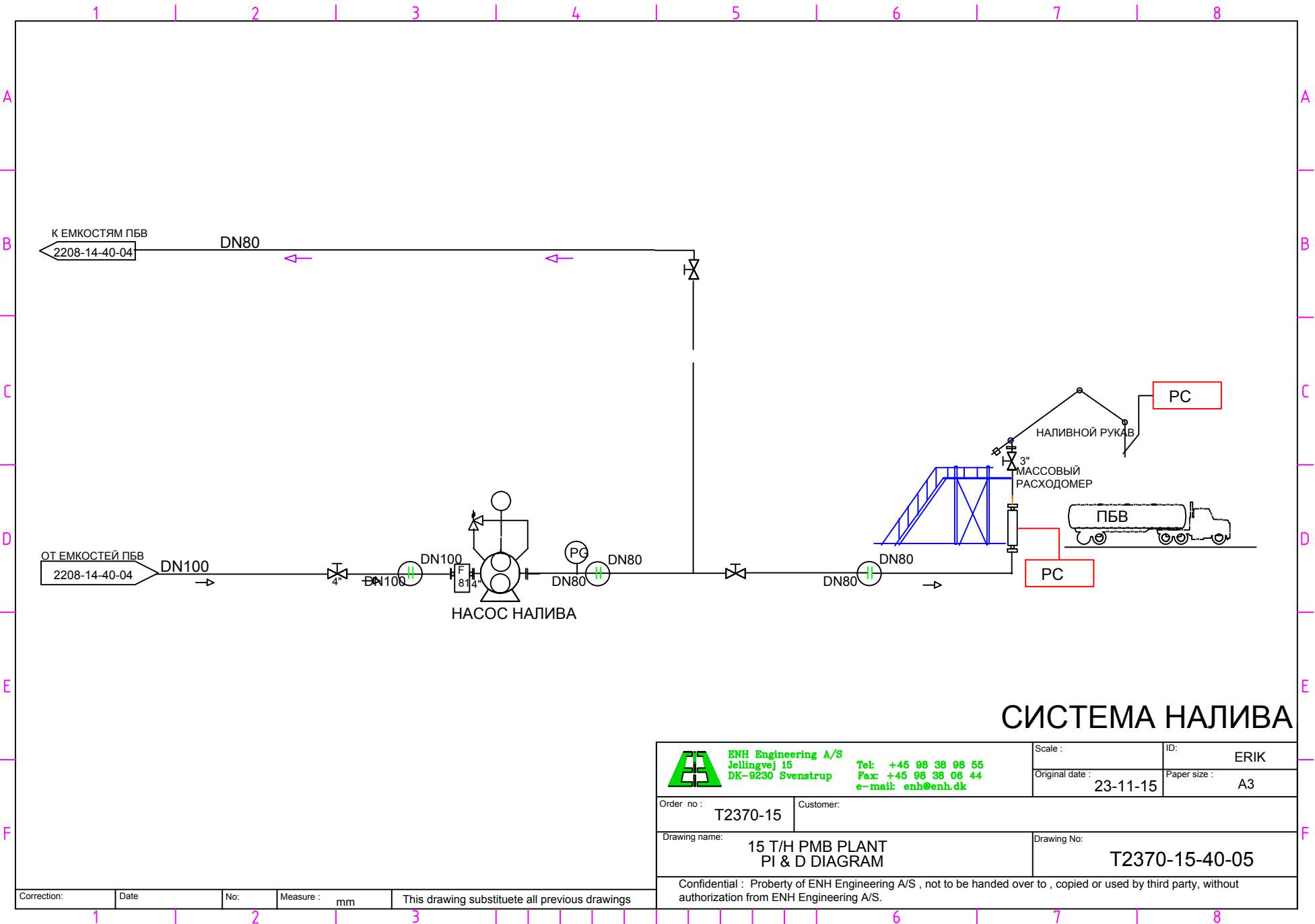


ЕМКОСТИ БИТУМА 1-2

 ENH Engineering A/S Jellingvej 15 DK-9230 Svenstrup Tel: +45 98 38 98 55 Fax: +45 98 38 08 44 e-mail: enh@enh.dk	Scale :	ID: ERIK
	Original date : 23-11-15	Paper size : A3
Order no : T2370-15	Customer:	
Drawing name: 15T/H PMB INLINE PLANT PI & D DIAGRAM		Drawing No: T2208-14-40-01
Confidential : Property of ENH Engineering A/S , not to be handed over to , copied or used by third party, without authorization from ENH Engineering A/S.		

Correction:	Date	No:	Measure : mm	This drawing substitute all previous drawings
-------------	------	-----	--------------	-----------------------------------------------



ENH Engineering A/S
Jellingvej 15
DK-9230 Svenstrup
Tel: +45 98 38 98 55
Fax: +45 98 38 06 44
e-mail: enh@enh.dk

Scale :

ID:

ERIK

Original date :

23-11-15

Paper size :

A3

Order no :
T2370-15

Customer:

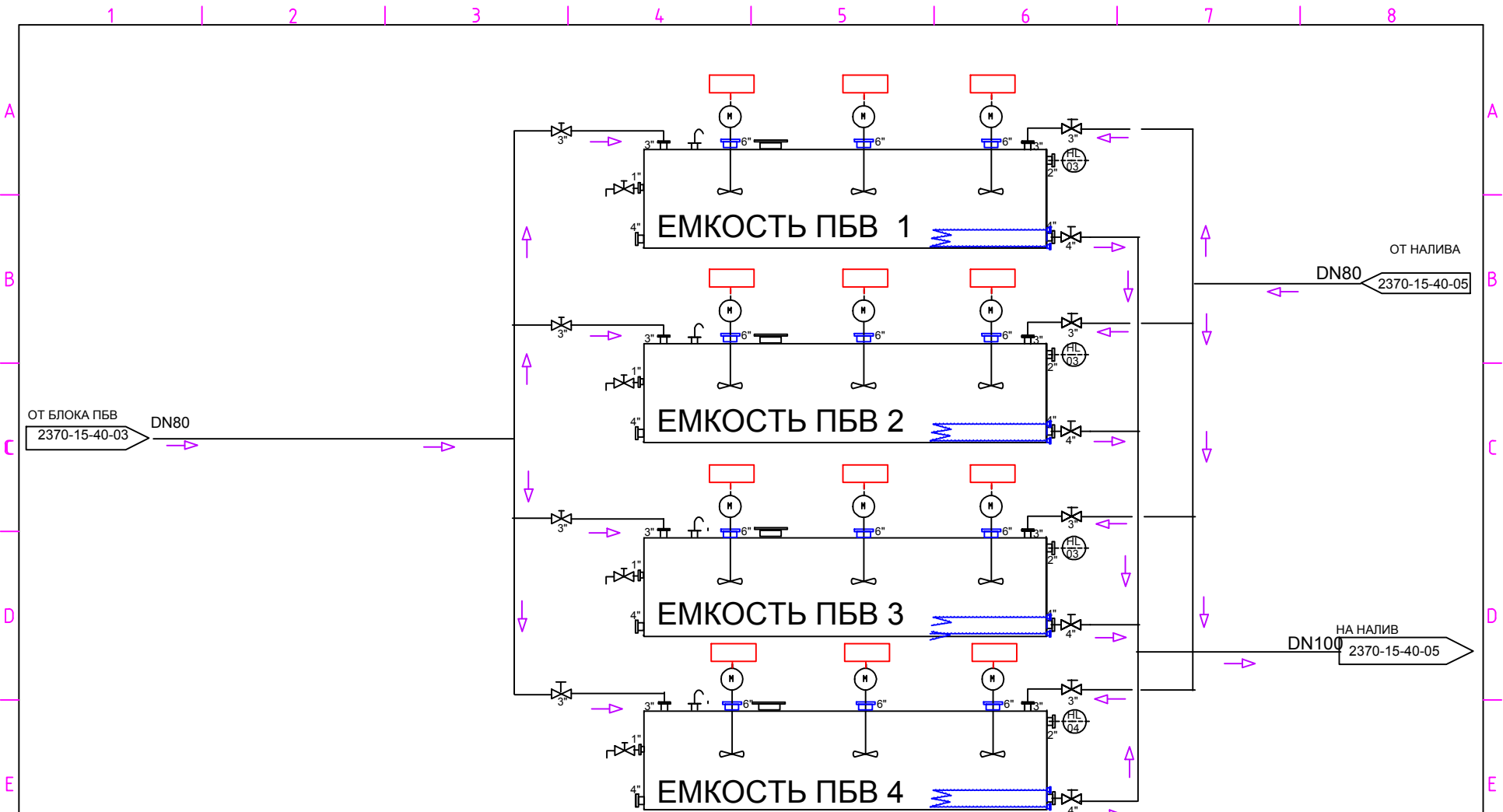
Drawing name:
15 T/H PMB PLANT
PI & D DIAGRAM

Drawing No:


T2370-15-40-05

Confidential : Property of ENH Engineering A/S , not to be handed over to , copied or used by third party, without authorization from ENH Engineering A/S.

Correction: Date No: Measure : mm This drawing substitute all previous drawings

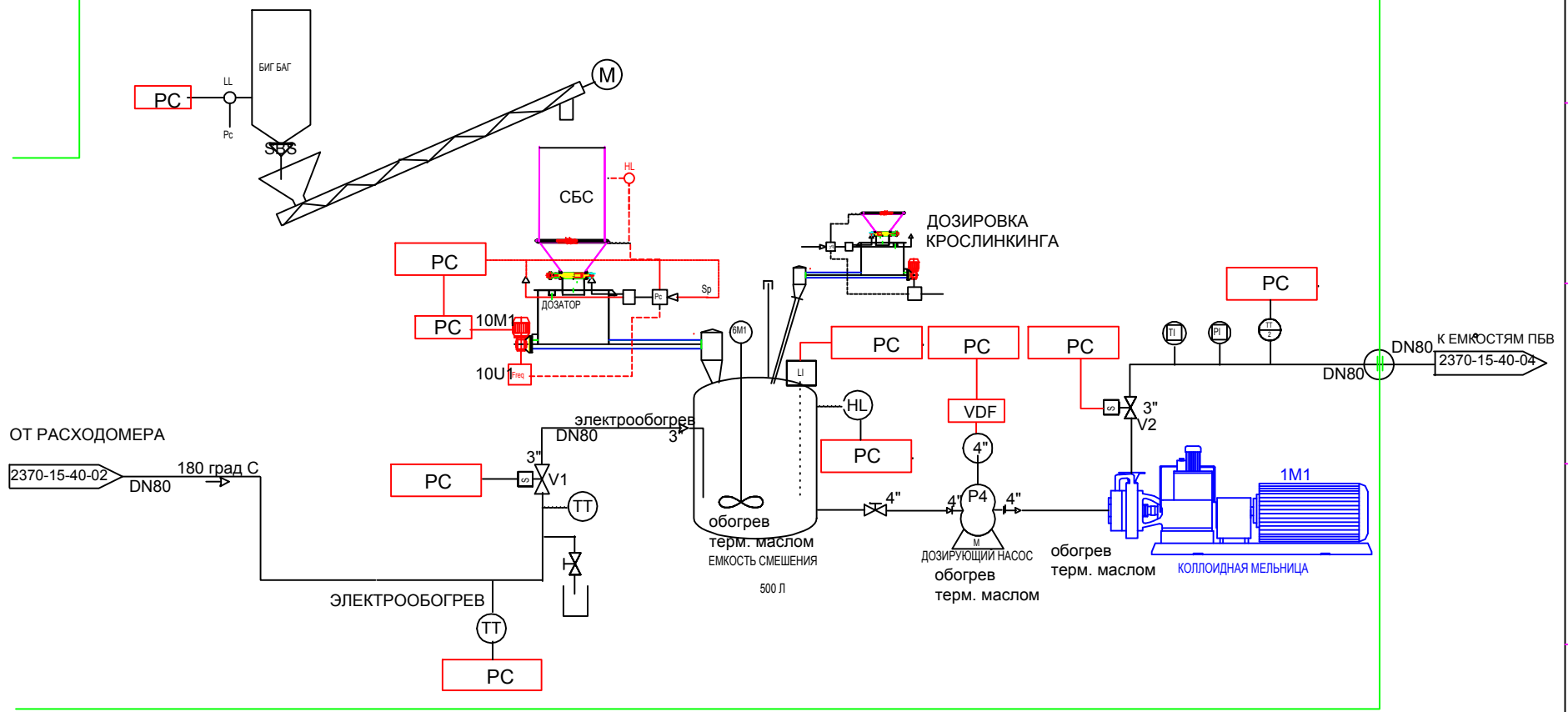


ЕМКОСТИ ПБВ 1-2-3-4


 ENH Engineering A/S Jellingvej 15 DK-9230 Svenstrup	Tel: +45 98 38 98 55 Fax: +45 98 38 06 44 e-mail: enh@enh.dk	Scale :	ID:
		Original date : 23-11-15	Paper size : A3
Order no : T2370-15	Customer:	ERIK	
Drawing name: 15 T/H PMB PLANT PI & D DIAGRAM		Drawing No: T2370-15-40-04	
Confidential : Property of ENH Engineering A/S , not to be handed over to , copied or used by third party, without authorization from ENH Engineering A/S.			

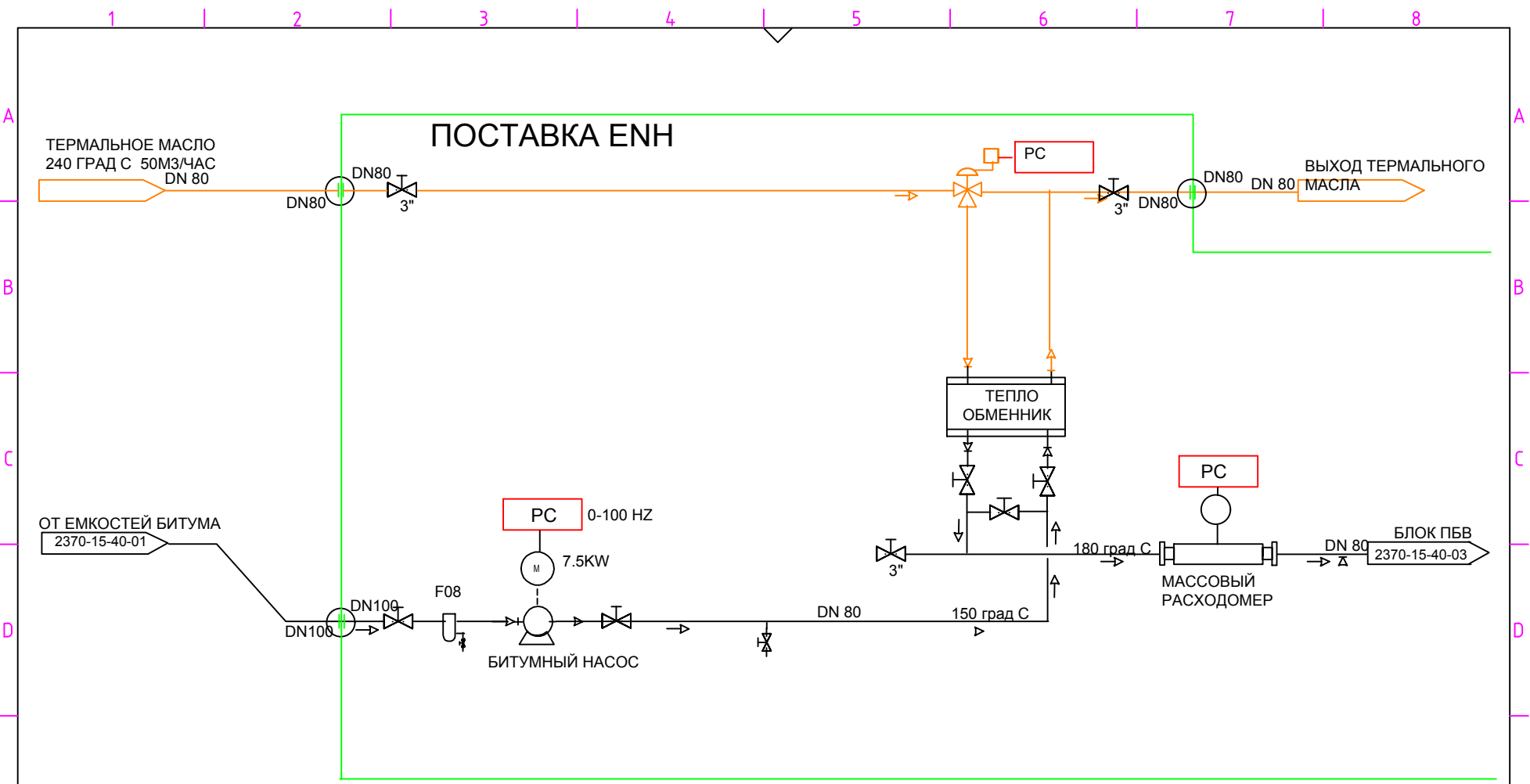
Correction:	Date	No:	Measure : mm	This drawing substitute all previous drawings
-------------	------	-----	--------------	-----------------------------------------------

Поставка ENH



БЛОК ПБВ

Correction:	Date:	No:	Measure : mm	This drawing substitute all previous drawings	
 ENH Engineering A/S Jellingvej 15 DK-9230 Svenstrup			Tel: +45 98 38 98 55 Fax: +45 98 38 06 44 e-mail: enh@enh.dk		Scale : ID: ERIK
Order no : T2370-15	Customer:			Original date : 23-11-15	Paper size : A3
Drawing name: 15 T/H PMB PLANT PI & D DIAGRAM			Drawing No: T2370-15-40-03		
Confidential : Property of ENH Engineering A/S , not to be handed over to , copied or used by third party, without authorization from ENH Engineering A/S.					



ТЕПЛООБМЕННИК

Correction:	Date	No:	Measure : mm	This drawing substitute all previous drawings	
ENH Engineering A/S Jellingvej 15 DK-9230 Svenstrup			Tel: +45 98 38 98 55 Fax: +45 98 38 06 44 e-mail: enh@enh.dk		Scale :
			Original date : 23-11-15		ID: ERIK Paper size : A3
Order no : T2370-15		Customer:			
Drawing name: 15 T/H PMB PLANT PI & D DIAGRAM			Drawing No: T2370-15-40-02		
Confidential : Property of ENH Engineering A/S , not to be handed over to , copied or used by third party, without authorization from ENH Engineering A/S.					